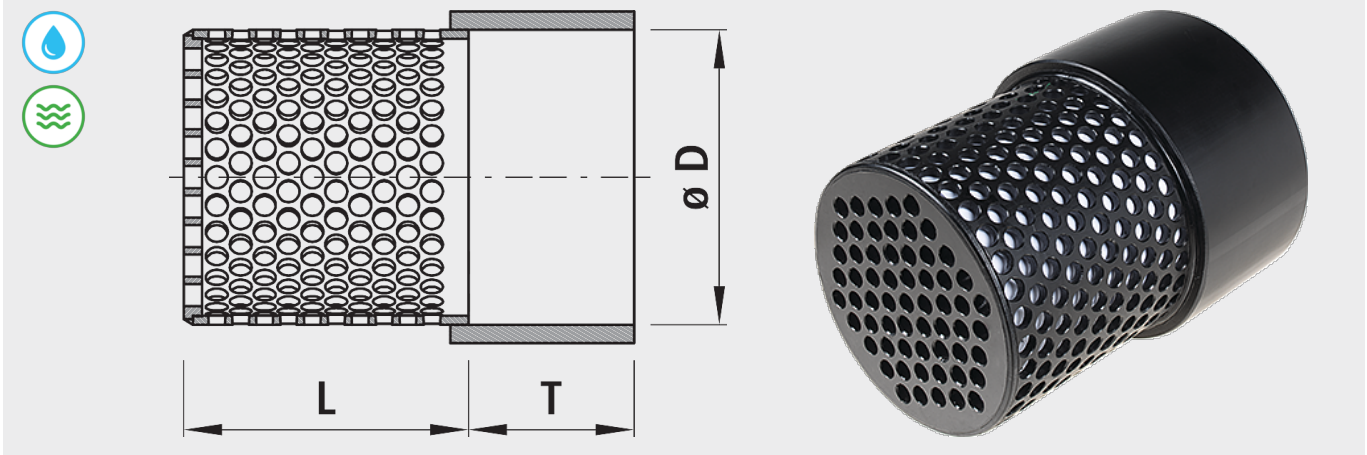


Inlet filter synthetic Etertub

8651



Application

- Attach directly onto the PE / PVC pipe with plug-in sleeve coupling.

Characteristics

- The colander prevents small parts entering the outlet pipe
- The open cross-section is approx. 40% of the colander surface.

Material

- Filter: HDPE

Caution

- The filters are sent directly to you from Etertub AG Bilten (excl. transport costs).

	ø D	L (mm)	T (mm)	weight (kg)
8651032000	32	205	40	0.100
8651040000	40	205	40	0.100
8651050000	50	205	40	0.100
8651063000	63	145	40	0.150
8651075000	75	165	60	0.150
8651090000	90	165	60	0.300
8651110000	110	220	90	0.400
8651125000	125	220	90	0.400
8651140000	140	220	90	0.600
8651160000	160	245	90	1.100
8651180000	180	245	90	1.600
8651200000	200	270	90	2.100
8651225000	225	295	90	3.000
8651250000	250	355	90	4.100
8651315000	315	395	90	7.000
8651355000	355	395	90	9.800