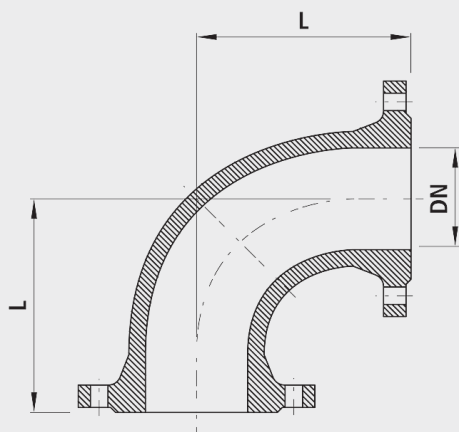


Flange curved section 90°, PN 16

8530



Material

- Housing
 - Spheroidal graphite cast iron EN-GJS-400 (GGG 40)
 - EWS coating according to GSK, RAL-GZ 662, coating thickness min. 250 µm

Caution

- Special lengths up to 2000 mm as well as special shapes according to sketches are available on request in powder/coated steel 37

	DN	PN (bar)	L (mm)	weight (kg)	NPK No. 411	NPK No. 412	BIM / CAD
8530050000	50	16	150	7.500	246216		
8530065000	65	16	165	9.400	246217		
8530080000	80	16	165	10.000	246218	242411	
8530100000	100	16	180	12.500	246219	242412	
8530125000	125	16	200	15.600	246221	242413	
8530150000	150	16	220	23.000	246222	242414	
8530200000	200	10	260	31.000	242223	242515	
8530201000	200	16	260	31.000	246223	242615	
8530250000	250	10	350	50.000	242224	242516	
8530251000	250	16	350	50.000	246224	242616	
8530300000	300	10	400	70.000	242225	242517	
8530301000	300	16	400	70.000	246225	242617	