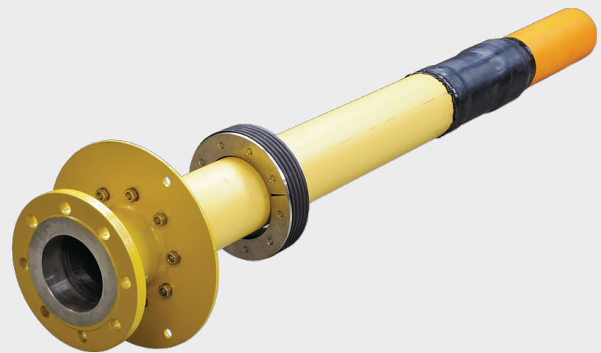
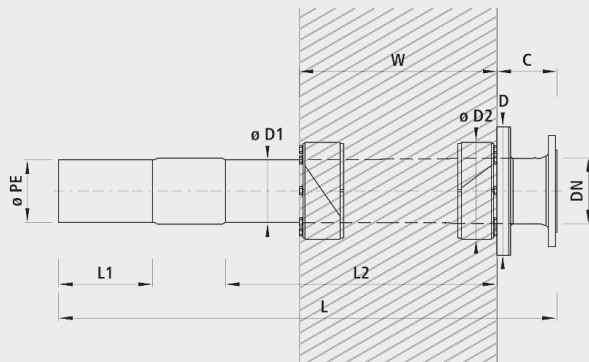


Wall duct flange/PE, dry installation, straight, PN 5

6858



Characteristics

- Flange connection
- Fixed point fixing available
- Flange: Drill PN 16

Material

- Fully encapsulated steel/PE connection
- Weld-in end: PE 100, SDR 11

Installation and assembly

- Dry installation in core drill hole with compression sealing rings

Caution

- Observe the installation instructions

	ø PE	DN	L (mm)	L1 (mm)	L2 (mm)	D (mm)	ø D1 (mm)	ø D2 (mm)	C cm	ø KB T (mm)	W	weight (kg)
6858090080	90	80	1420	255	800	300 ø	88.9	150	10.5	150	800	28.000
6858110100	110	100	1430	255	800	300 ø	114.3	200	11.5	200	800	30.000
6858160150	160	150	1460	255	800	330 ☒	168.3	250	13.5	250	800	59.000
6858225200	225	200	1600	300	800	330 ☒	219.1	300	14.0	300	800	94.000