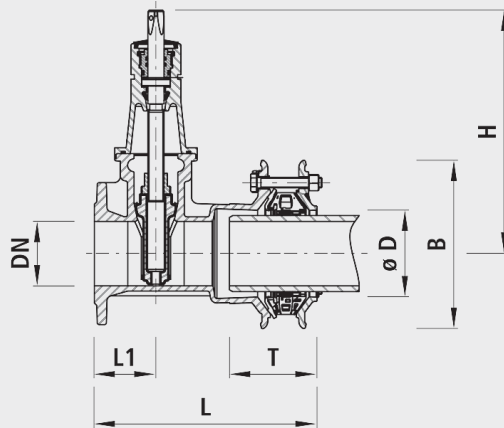


## Flange/multigrade sleeve slider SYNOFLEX, PN 16

4280



### Application

- Multigrade sleeve/flange incl. the proven E3 technology
- The longer range coupling HAWLESYNOFLEX is the economical alternative to welding technology. It is used in the drinking water supply and waste water disposal. It is used for a shear-protected connection of all the customary types of pipes made from cast, steel, PE, and PVC or for connecting pipes with different external diameters, as well as in poor weather conditions in particular. Shear protection is not guaranteed when using fiber cement pipes.

### Characteristics

- Permissible angle up to max. 8° (+/-4° per socket)
- Flange connection compound - according to EN 1092-2
- Operating temperature - max. 40 °C
- Pressure PN 16
- SVGW certified

### Thrust protection

- High tensile connection in multiple areas for all types of pipes

## Material

- Housing
  - Spheroidal graphite cast iron EN-GJS-400 (GGG 40)
  - EWS coating according to GSK, RAL-GZ 662, coating thickness min. 250 µm
- Seals
  - EPDM
- SYNOFLEX-Ring
  - POM
- Pull protection element
  - Steel, protected against corrosion
  - Mounted on every individual support element
- Bolts
  - greased for life
  - with INOX antirotation lock

## Caution

- For the fiber cement pipes tensile strength is not guaranteed.
- A supporting sleeve must be used without fail for high tensile connections of PE pipes.
- The maximum insertion depth must not be exceeded, in order to ensure a gap is maintained between the pipes or before the stop.

	DN	ø D min./max.	PN (bar)	H (mm)	L (mm)	L1 (mm)	T min./max.	B (mm)	weight (kg)	NPK No. 412
4280100000	100	104-132	16	343	370	95	119-136	260	27.000	812622
4280125000	125	131-160	16	421	426	100	143-161	290	42.000	812623
4280150000	150	155-192	16	433	375	105	126-143	350	46.000	812624
4280200000	200	198-230	10	541	450	115	143-161	405	76.000	812635
4280201000	200	198-230	16	541	450	115	143-161	405	76.000	812645