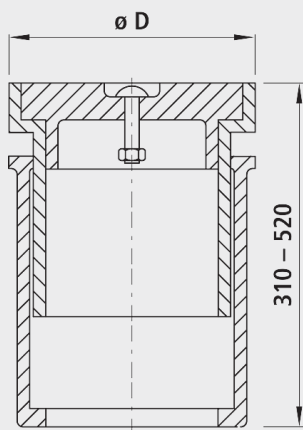


Street cap EASY-LIFT octagonal, size 1

4588



Application

- recommended for the main slider

Characteristics

- Cast-Upper part: Actagonal
- Standard cover: Round
- Telescopic upper part with extra large tamping surface
- Do not rust together or fuse together in the cold
- Glass fibre cover can be easily opened at all times
- reduced noise emission

Material

- Housing: Cast EN-GJL -200 (GG 20)
- Cover: Fibre glass reinforced plastic
- Chain: Stainless steel

	Size	ø D (mm)	weight (kg)	NPK No. 412
4588000000	1	221/205	19.500	872152