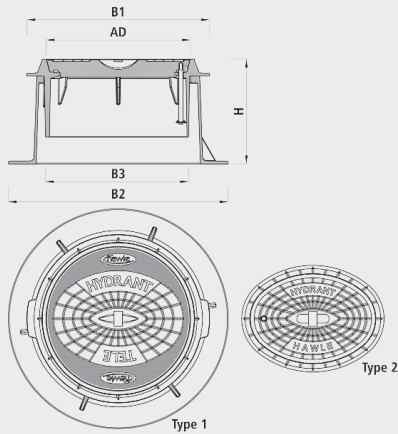


Road cap for underfloor hydrants

4595



Application

- For underfloor hydrants

Characteristics

- Upper box assembly can be telescopically adapted to the road surface
- fulfils the test load D 400 (12.5t wheel load) in compliance with EN 124 standard
- Cast-Upper part type 1: round
- Cast-Upper part type 2: oval
- Inscription type 1: Hydrant Tele
- Inscription type 2: Hydrant

Material

- Cast EN GJL-250
- Retaining pin: INOX
- Damping ring: NBR

	Type	B1 (mm)	B2 (mm)	B3	AD (mm)	H (mm)	weight (kg)	NPK No. 412
4595000000	1	540	650	423	423	310-460	97.000	872411
4595000001	2	400	420	315	400/290	340-520	52.000	872411

Type 1 for underfloor hydrant telescopic (No. N492)

Type 2 for underfloor hydrants with pright pipe (No. N490)