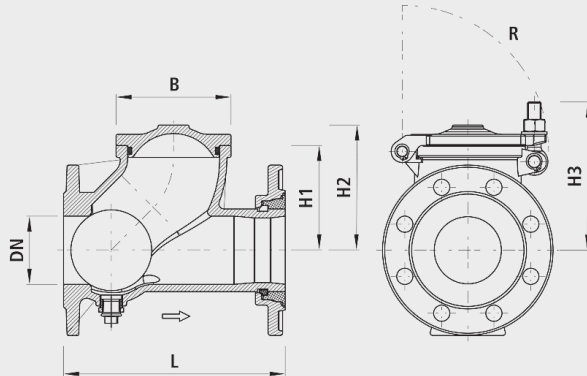


## Ball check valve with loose flanges, tension strength, PN 16

9963



### Design

- For water and waste water up to max. 40°C

### Characteristics

- Incl. flange seals for loose flanges
- Loose flange can be freely rotated, resistant to tensile forces with the stop ring
- Drain opening 1/2" in the housing
- Assembly and disassembly possible without installation/removal piece
- Operating pressure
  - max. 16 bar
- Operating temperature
  - max. 40 °C
- Flange connection compound
  - according to DIN EN 1092-2

### Material

- Ball: Metal core, vulcanised with NBR for waste water, EPDM for drinking water
- Housing
  - Spheroidal graphite cast iron EN-GJS-400 (GGG 40)
  - EWS coating according to GSK, RAL-GZ 662, coating thickness min. 250 µm

### Caution

- Reduce screw length on the loose flange to make it 5 mm shorter than a standard flange connection. Only use one washer per screw.

	DN	IG		PN (bar)	L (mm)	H1 (mm)	H2 (mm)	H3 (mm)	B (mm)	R	weight (kg)
9963063000		2"		16	175	86	103	130	100	135	5.400
9963063001		2"	x	16	175	86	103	130	100	135	5.400
9963050000	50			16	200	86	103	130	100	135	9.000
9963050001	50		x	16	200	86	103	130	100	135	9.000
9963065001	65		x	16	240	105	126	148	118	158	12.000
9963080000	80			16	260	123	147	165	135	169	15.000
9963080001	80		x	16	260	123	147	165	135	169	15.000
9963100000	100			16	300	155	186	205	165	205	21.000
9963100001	100		x	16	300	155	186	205	165	205	21.000
9963125000	125			16	350	190	226	240	198	245	32.000
9963125001	125		x	16	350	190	226	240	198	245	32.000
9963150000	150			16	400	225	272	300	231	272	47.000
9963150001	150		x	16	400	225	272	300	231	272	47.000
9963200000	200			10	500	315	371	395	306	343	87.000
9963200001	200		x	10	500	315	371	395	306	343	87.000
9963200016	200			16	500	315	371	395	306	343	87.000
9963200116	200		x	16	500	315	371	395	306	343	87.000
9963250000	250			10	600	380	450	450	370	423	145.000
9963250001	250		x	10	600	380	450	450	370	423	145.000
9963250016	250			16	600	380	450	450	370	423	145.000
9963250116	250		x	16	600	380	450	450	370	423	145.000
9963300000	300			10	700	435	530	505	390	465	215.000
9963300001	300		x	10	700	435	530	505	390	465	215.000
9963300016	300			16	700	435	530	505	390	465	215.000
9963300116	300		x	16	700	435	530	530	390	465	215.000

x = green colour