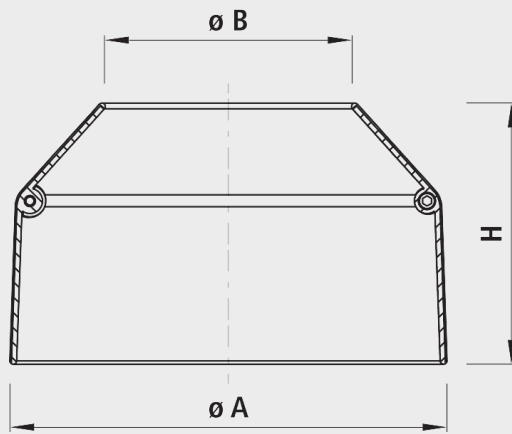


Foundation ring two-piece

N837



Design

- Foundation ring two parts with inbus allen screw INOX
- Color: anthracite

Characteristics

- Foundation ring two part for easy installation
- breaking resistance
- max. flange/ground 65 mm

Material

- Plastic reinforced with glass fiber, UV resistance

	$\varnothing A$	$\varnothing B$	H (mm)	Color	weight (kg)
N837000000	245	142	152	Anthracite	0.650