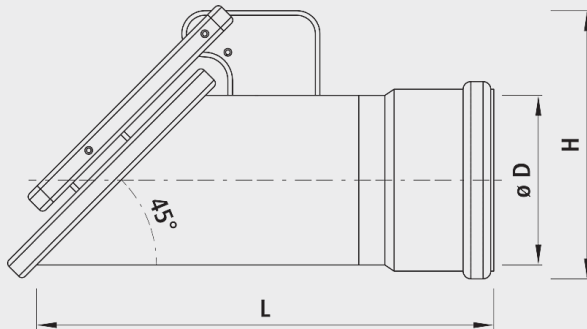


## Flap valve synthetic Etertub

8631



### Application

- Attach directly onto the PE / PVC pipe with plug-in sleeve coupling.
- Flood water closure, also known as a flap valve
- for reservoir outlet or other pipe lead-throughs
- External joint prevents any blockages through the free discharge.

### Characteristics

- The special design prevents animals and debris entering through the mouth of the waste water pipe.
- The flap valve does not work under water (the weight of the flap panel is not heavy enough).

### Material

- Flap: HDPE

### Caution

- The flap valves are sent directly to you from Etertub AG Bilten (excl. transport costs).

	<b>ø D</b>	<b>L (mm)</b>	<b>H (mm)</b>	<b>weight (kg)</b>
8631063000	63	280	130	0.500
8631075000	75	286	142	0.600
8631090000	90	298	150	0.800
8631110000	110	318	180	1.000
8631125000	125	338	196	1.300
8631160000	160	413	235	2.200
8631200000	200	617	282	4.800
8631225000	225	750	325	7.500
8631250000	250	750	325	7.500
8631280000	280	835	400	9.300
8631315000	315	835	400	9.300
8631355000	355	925	475	15.200
8631400000	400	925	475	15.200
8631500000	500	933	580	20.200