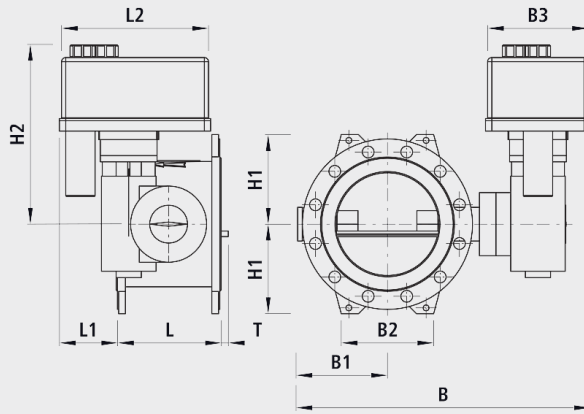


Butterfly valve Type Hawle with drive 24

4996



Application

- Butterfly valve
- For water up to max. 40°C, operating pressure 16 bar
- Remote triggering for the extinguishing water reserve
- Automatic flow or throttle control
- As a broken pipe or emergency flap
- Discard flap or electrically controlled as a general butterfly valve
- Power supply via battery UPS system possible

Characteristics

- Double eccentric resilient seated valve disc
- Worm gear with mechanical end stops
- Fixed position indicator
- Crank drive type SB2N for flaps for regular operation without running time limitation
- Motor with DC controller galvanically isolated from the control system
- Drive protected against accidents and secured by 6 open/close stops
- Current consumption operation: 1-2 A
- Starting current adjustable: Up to max. 5 A
- Power consumption: max. 24 W, monitoring current relay MRI 11 built-in
- Power supply: 24 V DC
- Max. Outlet torque 135 Nm
- Manual operation: Crank handle for manual emergency operation
- Signalling: open, closed, manual operation/overload
- Position feedback: 4-20 mA corresponds to 0-100% open
- Control: Directly from telecontrol station or PLC (open, close, remote reset)
- Running time adjustable: Approx. 2 - 8 rpm
- Housing screwed protection class IP66
- Drive is manufactured and assembled in Switzerland
- Transport and mounting lugs

Material

- Flaps sealing seat: INOX welded and precision machined
- Flaps Sealing ring: EPDM
- Flap bearing: bronze (alloy CC 499K)
- Housing drive: aluminium structure lacquered, RAL 5015 (sky blue)

Caution

- U = rotation OPEN - CLOSED

	DN	PN (bar)	L (mm)	L1 (mm)	L2 (mm)	B (mm)	B1 (mm)	B2 (mm)	B3	T	H1 (mm)	H2 (mm)	U	weigh t (kg)	NPK No. 411	NPK No. 412
4996150000	150	10/16	210	170	360	540	151		250		143	386	11.25	60.000	8318 42	8313 24
4996200000	200	10	230	160	360	590	177	180	250		180	386	11.25	75.000	8318 42	8313 24
4996200016	200	16	230	160	360	590	177	180	250		180	386	11.25	75.000	8318 42	8313 24
4996250000	250	10	250	150	360	705	214	220	250	6	213	413	10.00	110.000	8318 42	8313 24
4996250016	250	16	250	150	360	705	214	220	250	6	213	413	10.00	110.000	8318 42	8313 24
4996300000	300	10	270	140	360	750	237	280	250	11	242	413	10.00	130.000	8318 42	8313 24
4996300016	300	16	270	140	360	750	237	280	250	11	242	413	10.00	130.000	8318 42	8313 24
4996350000	350	10	290	130	360	890	283	320	250	28	264	434	12.50	170.000	8318 42	8313 24
4996350016	350	16	290	130	360	890	283	320	250	28	272	434	12.50	177.000	8318 42	8313 24
4996400000	400	10	310	120	360	930	297	335	250	43	293	434	12.50	180.000	8318 42	8313 24
4996400016	400	16	310	120	360	930	297	335	250	43	300	434	12.50	219.000	8318 42	8313 24
4996450000	450	10	330	110	360	1010	333	380	250	57	320	535	36.25	235.000	8318 42	8313 24
4996450016	450	16	330	110	360	1010	333	380	250	57	330	535	36.25	255.000	8318 42	8313 24
4996500000	500	10	350	100	360	1055	344	400	250	67	345	584	43.50	300.000	8318 42	8313 24
4996500016	500	16	350	100	360	1055	344	400	250	67	370	584	43.50	340.000	8318 42	8313 24