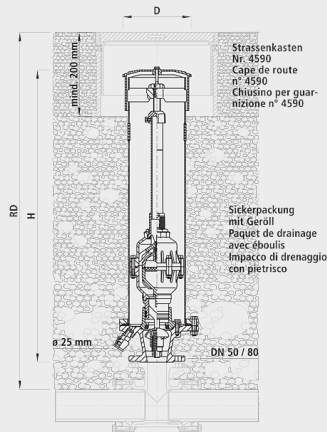


Self-actuating aeration/ventilation fitting, PN 16

9920



Mode of operation

- This aeration fitting works as an automatic two-stage ventilator with the built-in aeration and ventilation valve 2" No. 9870.
- With the filter cartridge (No. 9929), the air is filtered for drinking water according to EN 779 standard.

Product information

- The ventilation fitting can be shortened once by 100 mm (marking).
- deeper operating range of 0.1 to 6 bar (No. 9921)
- Design "Only aeration" (No. 9930)
- The filter system must be ordered separately.

Material

- Valve (housing, seal, etc.) same as for No. 9870
- Flange EN GJS-400
- Protection pipe: INOX 1.4571
- Sealing tappet: POM
- Sealing tappet seal: EPDM
- Dichtungsträger: CuZn40Pb2 (Messing)

Performance data

- Opening cross-section large: 960 mm²
- Opening cross-section small: 2 mm²
- Ventilation capacity: Small cross-section: 7.8 m³/h Large cross-section: 190 m³/h
- Aeration capacity: Large cross-section: 550 m³/h

Medium

- Drinking water

Medium temperature

- max. 30 °C

Test pressure

- Housing: 24 bar

	DN	RD (m)	H (mm)	D (mm)	weight (kg)	NPK No. 411	NPK No. 412
9920500755	50	1.00	755	200	23.000	833376	832218
9920501055	50	1.25	1055	200	27.000	833376	832218
9920501305	50	1.50	1305	200	28.500	833376	832218
9920501555	50	1.75	1555	200	33.000	833376	832218
9920800755	80	1.00	755	200	24.000	833378	832221
9920801055	80	1.25	1055	200	28.000	833378	832221
9920801305	80	1.50	1305	200	31.000	833378	832221
9920801555	80	1.75	1555	200	34.000	833378	832221