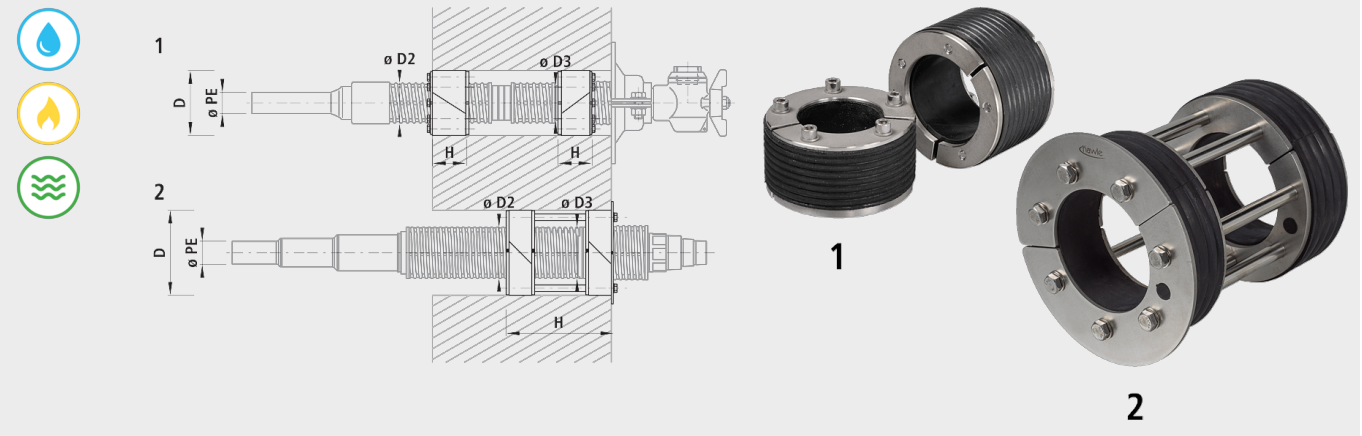


Compression sealing ring inside/outside for dry installation

68720



Application

- Can be mounted directly in the drill hole or protection pipe

Characteristics

- Two part sealing ring
- Pressure water tightness up to 1 bar

Material

- INOX
- NBR-Rubber

Installation and assembly

- Position the sealing ring on the wall entry and mount them together.
- Copper wire 8 mm dia. feed-through for earthing type 2 available

Anmerkung

- Scope of delivery: Type 1 consisting of 2 press rings. Available single part on request.
- Type 2 double press ring with pull-out protection.

	$\varnothing PE$	Type	D (mm)	$\varnothing D2$ (mm)	$\varnothing D3$	H (mm)	$\varnothing KB T$ (mm)	weight (kg)	NPK No. 412
6872V25000	32		100	60	53	50/40	100	1.500	714211
6872V32040	40/50		130	75	75	50	130	3.200	714213
6872V50010	63	1	130	90	90	50	130	2.500	714214
6872260160	32/40	2	150	60	53	160	150	3.900	714312
6872260240	32/40	2	150	60	53	240	150	4.300	714312
6872275160	50	2	150	75	75	160	150	3.400	714313
6872275240	50	2	150	75	75	240	150	3.800	714313
6872290160	63	2	150	90	90	160	150	2.900	714314
6872290240	63	2	150	90	90	240	150	3.300	714314