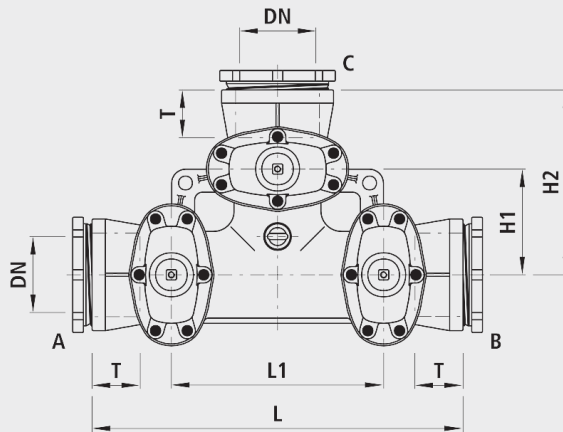


Combi-3 with screw sockets, PN 16

4470



Application

- Die Schraubmuffe ist für folgende Rohrarten geeignet:
Gussrohre:
- Mit Standard-Schraubringgarnitur:
Schraubring, Konusring, Dichtring;
Schubsicherung (Nr. 5800)
ausenliiegend
Ecopur-Gussrohre:
- Mit Standard-Schraubringgarnitur;
Schubsicherung (Nr. 5800)
ausenliiegend:
PE-Rohre:
- Mit PE Anschweissende (Nr. 4523 und 4524)

Characteristics

- Operating temperature
- max. 40 °C
- Pressure PN 16

Outlet without slider

- Outlets with a blind cover (A, B, C), on request

Material

- Corpo:
- Ghisa sferoidale EN-GJS-400 (GGG 40)
- Rivestimento in EWS secondo GSK, RAL-GZ 662, spessore dello strato mit. 250 µm
- Anello di avvitamento:
- Ghisa sferoidale EN-GJS-400 (GGG40)
- Manicotti a vite:
- secondo DIN 28601
- Guarnizioni:
- NBR-Duo
- Omologazioni KTW e W 270

Caution

- Installation loops (No. 5370) should also be used for installations in existing lines.

	DN	PN (bar)	L (mm)	L1 (mm)	H (mm)	H1 (mm)	H2 (mm)	T (mm)	weight (kg)	NPK No. 411	NPK No. 412
4470100000	100	16	635	365	343	185	320	90	67.000	825112	821312
4470125000	125	16	725	415	421	210	365	90	89.000	825113	821313
4470150000	150	16	725	415	433	210	365	95	115.000	825114	821314
4470200000	200	16	840	465	541	235	420	100	214.000	825115	821315

Height H: Pipe axis up to the spindle end