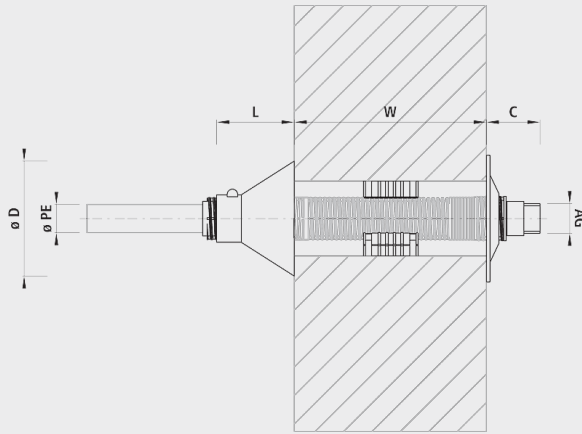


Sealing for the trenchless installation, set

68710



Application

- For the professional installation of wall ducts that are only accessible from the inside. (Trenchless pipeline construction)

Characteristics

- Simple, inexpensive and safe installation of the wall duct that is gas- and water-tight.
- Professional sealing (grouting) of the wall duct gas and watertight
- Clean conical exterior wall/cover without any danger of water accumulation
- Turning and tensile forces are transmitted to the masonry
- The set consists of a watertight curtain (rubber), spacer, internal cover plate and fastening materials.

Installation and assembly

- Prepare core drilling for mounting the wall duct. The outside wall must be clean in the region of the watertight curtain.
- Push the wall duct with mounted watertight curtain (note the wall thickness) into the core drilling, pre-tension grouting device tool from inside and pour out the grout (Beto Fix). After the curing time, remove the grouting device tool and mount the cover plate.
- After the curing time, remove the grouting device tool and mount the cover plate.
- Feedthrough of copper wire/ earthing strip is possible

Caution

- W = the long wall duct must be used for a wall thickness greater than 250 mm.

		$\varnothing PE$	AG	$\varnothing D$ (mm)	L (mm)	C (mm)	$\varnothing KB N$ (mm)	weight (kg)
6871025005	o	32	1"	170	105	90-130	90	2.000
6871032045	o	40/50	5/4"-1 1/2"	200	105	90-130	120	2.000
6871050005	o	63	2"	200	105	90-130	120	2.000
6871025105	x	32	1"	170	105	90-130	90	2.000
6871032145	x	40/50	5/4"-1 1/2"	200	105	90-130	120	2.000
6871050105	x	63	2"	200	105	90-130	120	2.000

o = Cover plate fixed
x = Cover plate divided