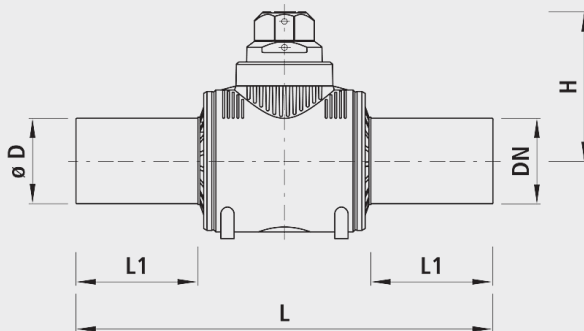


Weld-in ball valve PE, PN 10

6890



Application

- PE ball valve for underground gas lines
- The fully plastic ball valve is corrosionresistant as there are no metal parts.
- Fully encapsulated system that requires no maintenance
- Suitable for hot-tool or socket welding

Characteristics

- Fully plastic ball valve
- Triple O-ring seal
- Smooth inner surface in the ball valve to resist deposits and incrustations
- Psigot-end in PE PE100, SDR11
- SVGW certified

	DN	ø D	PN (bar)	L (mm)	L1 (mm)	H (mm)	weight (kg)
6890015020	15	20	5	265	72	134	0.500
6890020025	20	25	5	265	72	134	0.500
6890025032	25	32	5	275	76	134	0.500
6890032040	32	40	5	300	84	142	0.500
6890040050	40	50	5	330	92	156	0.800
6890050063	50	63	5	350	100	173	3.200
6890080090	80	90	5	440	128	240	3.200
6890100110	100	110	5	500	148	267	4.600