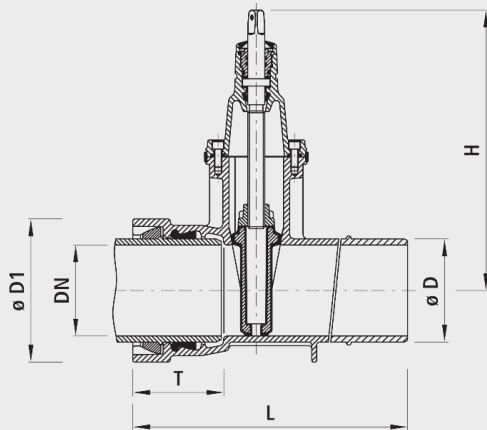


## Sleeve/spigot-end slider BLS<sup>®</sup> with welding bead, PN 16

# 4027



### Application

- The BLS<sup>®</sup> socket can be used for pipes with welding beads that are secured against shearing by means of bolts. If a TYTON-SIT seal is used, for example, the fitting can also be used for all push-in socket pipes. The fittings are designed using the proven E3 gate valve technology. All BLS<sup>®</sup> valves and fittings are fitted with TYTON seals for water as standard.

### Material

- Housing
  - Spheroidal graphite cast iron EN-GJS-400 (GGG 40)
  - EWS coating according to GSK, RAL-GZ 662, coating thickness min. 250 µm
- Push-in sockets
  - according to DIN 28603
- Seals
  - EPDM
  - KTW and W 270 approval

### Characteristics

- Operating temperature
  - max. 40 °C
- Pressure PN 16

### Caution

- Shearing protections are not included in the scope of supply.

### Thrust protection

- Shearing protection bolt or clamping ring for pipe end with weld bead (No. 5910)

	DN	ø D	PN (bar)	H (mm)	L (mm)	T (mm)	ø D1 (mm)	weight (kg)	NPK No. 411	NPK No. 412	BIM / CAD
4027080000	80	98	16	313	422	127	156	20.500	812218	811521	
4027100000	100	118	16	343	440	135	178	24.500	812219	811522	
4027125000	125	144	16	421	494	143	208	37.500	812221	811523	
4027150000	150	170	16	433	513	150	235	44.500	812222	811524	
4027200000	200	222	16	541	545	160	295	72.000	812223	811525	
4027250000	250	274	16	649	580	165	356	114.000	812224	811526	
4027300000	300	326	16	731	638	170	414	168.000	812225	811527	