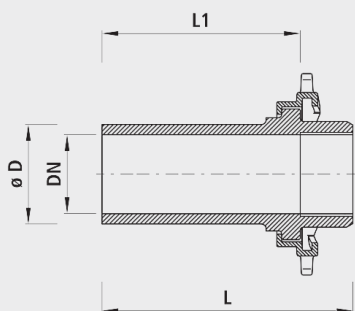


Weld-on PE ends BAIO[®], PE 100, SDR 17, PN 10

4526



Bajonett-Verriegelungsring
Verrouillage à baionette
Anello di serraggio

Stützhülse
Douille de renfort
Bussola di appoggio



Characteristics

- Pressure PN 16

Installation and assembly

- Insert the PE weld-on end in the BAIO[®] sleeve and secured against shearing with the locking ring. Tighten the socket screw.

Material

- Bored to SDR 17
- Einschweisstützen
- Standard: PE 100, SDR 11
- Stützhülse
- INOX
- Verriegelungsring
- Sphäroguss EN-GJS-400 (GGG 40)
- EWS-Beschichtung nach GSK, RAL-GZ 662, Schichtdicke min. 250 µm

Caution

- Incl. locking ring ring
- The PE nozzles on the spigot-end are turned approx. 120 mm down on the SDR 17 for the mirror welding process.

	DN	ø D	PN (bar)	L (mm)	L1 (mm)	weight (kg)
4526V00900	80	90	10	260	180	3.900
4526V01100	100	110	10	287	204	4.600
4526V01250	100	125	10	302	219	4.900
4526V01400	125	140	10	333	243	6.950
4526V01600	125	160	10	348	220	7.150
4526V01601	150	160	10	345	260	8.200
4526V01800	150	180	10	355	270	8.700
4526150200	150	200	10	500	370	9.200
4526V02000	200	200	10	390	290	20.900
4526V02250	200	225	10	405	305	13.600
4526V02500	200	250	10	425	326	14.200
4526V02800	250	280	10	433	317	22.400
4526250315	250	315	10	654	538	31.500
4526V03150	300	315	10	469	280	31.450
4526V03550	300	355	10	469	280	33.350