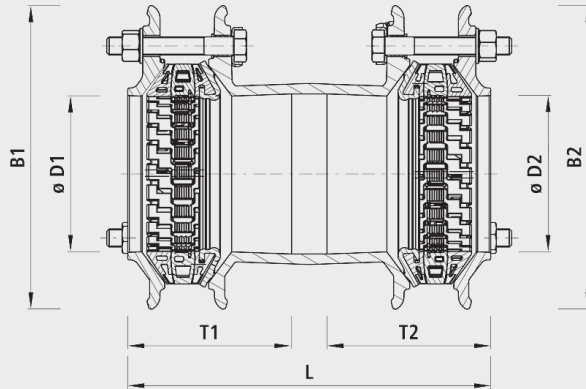


Connector HAWLE-SYNOFLEX, PN 16

7225



Application

- Can be looped
- The longer range coupling HAWLESYNOFLEX is the economical alternative to welding technology. It is used in the drinking water supply and waste water disposal. It is used for a shear-protected connection of all the customary types of pipes made from cast, steel, PE, and PVC or for connecting pipes with different external diameters, as well as in poor weather conditions in particular. Shear protection is not guaranteed when using fiber cement pipes.

Characteristics

- Permissible angle up to max. 8° (+/-4° per socket)
- Flange connection compound - according to EN 1092-2
- Operating temperature - max. 40 °C
- Pressure PN 16
- SGVV certified

Material

- Housing
 - Spheroidal graphite cast iron EN-GJS-400 (GGG 40)
 - EWS coating according to GSK, RAL-GZ 662, coating thickness min. 250 µm
- Seals
 - EPDM
- SYNOFLEX-Ring
 - POM
- Pull protection element
 - Steel, protected against corrosion
 - Mounted on every individual support element
- Bolts
 - greased for life
 - with INOX antirotation lock

Caution

- For the fiber cement pipes tensile strength is not guaranteed.
- A supporting sleeve must be used without fail for high tensile connections of PE pipes.
- The maximum insertion depth must not be exceeded, in order to ensure a gap is maintained between the pipes or before the stop.

	ø d1 min./max.	ø d2 min./max.	PN (bar)	L (mm)	B1 (mm)	B2 (mm)	T1 (mm)	T2 (mm)	weight (kg)	NPK No. 411	NPK No. 412
7225040000	46-58		16	243	157		86		3.900	272416	741116
7225050000	56-71		16	254	170		91		4.900	272416	741117
7225065000	71-88		16	264	187		97		5.600	272417	741118
7225080065	85-105	71-88	16	274	204	187	103	97	6.900	272438	741241
7225080000	85-105		16	270	204		103		6.600	272418	741121
7225100080	104-132	85-105	16	312	260	204	136	103	9.700	272439	741252
7225100000	104-132		16	332	260		136		12.500	272419	741122
7225125100	131-160	104-132	16	381	290	260	161	136	15.500	272441	741263
7225125000	131-160		16	409	290		161		16.700	272421	741123
7225150100	155-192	104-132	16	361	350	260	143	136	16.700	272442	741264
7225150125	155-192	131-160	16	401	350	290	143	161	18.600	272442	741274
7225150000	155-192		16	367	350		143		19.300	272422	741124
7225200150	198-230	155-192	16	431	371	350	161	143	41.800		741285
7225200000	198-230		16	406	371		161		30.200	272423	741125
7225225200	230-260	198-230	16	450	410	371	161	161	38.800	2724**	
7225225000	230-260		16	429	410		161		41.000	272423	
7225250200	265-310	198-230	16	468	464	371	167	161	42.400	272444	741316
7225250225	265-310	230-260	16	454	464	410	167	161	50.200	272444	741326
7225250000	265-310		16	441	464		167		51.000	272424	741126
7225300250	313-356	265-310	16	473	510	464	180	167	61.400	272445	741337
7225300000	313-356		16	460	510		180		68.000	272425	741127
7225350300	352-396	313-356	10	494	550	510	190	186	80.000		
7225350000	352-396		10	502	550		190		86.000	272426	
7225400350	398-442	352-396	10	526	596	550	200	190	80.000		
7225400000	398-442		10	523	596		200		100.000	272427	741128