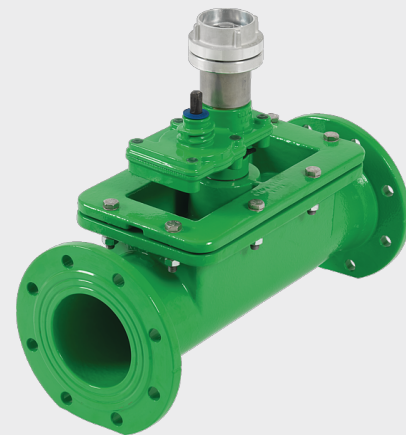
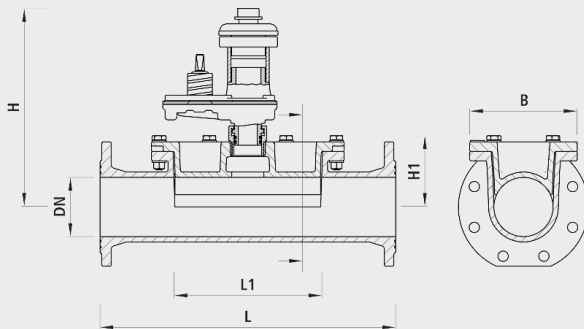


Cleaning and controlling box, PN 10

9842



Characteristics

- Flow-optimised cleaning cover
- Cleaning opening the size of the pipe cross-section
- Mounted rinse fitting with free passage and Storz 55 connection
- Operating pressure max. 10 bar
- Druckstufe PN 10

Options

- Without rinse fitting use Item no. with 000
- x = without rinse fitting

Material

- Housing
 - Spheroidal graphite cast iron EN-GJS-400 (GGG 40)
 - EWS coating according to GSK, RAL-GZ 662, coating thickness min. 250 µm
- Oberteil
 - Sphäroguss EN-GJS-400 (GGG 40)
 - EWS-Beschichtung nach GSK, RAL-GZ 662, Schichtdicke min. 250 µm
 - Versenkte, versiegelte Schrauben
- Absperelement
 - Hartgewalzter Stahl (INOX); Zugfestigkeit mind. 1200 N/m²
- Spindelabdichtung
 - O-Ring-Träger: Messing (ab DN 80 auswechselbar)
- Dichtungen
 - Gummi

		DN	PN (bar)	L (mm)	L1 (mm)	B (mm)	H (mm)	H1 (mm)	weight (kg)
9842080001		80	10	500	250	170	325	105	30.500
9842100001		100	10	500	250	185	330	110	34.500
9842125001		125	10	550	300	220	345	125	42.200
9842150001		150	10	550	300	240	365	145	53.300
9842200001		200	10	650	350	310	390	170	75.800
9842250001		250	10	700	365	360	420	200	105.200
9842300001		300	10	750	400	420	450	230	136.600
9842080000	x	80	10	500	250	170		105	29.000
9842100000	x	100	10	500	250	185		110	33.000
9842125000	x	125	10	550	300	220		125	35.500
9842150000	x	150	10	550	300	240		145	46.600
9842200000	x	200	10	650	350	310		170	69.100
9842250000	x	250	10	700	365	360		200	98.500
9842300000	x	300	10	750	400	420		230	129.900