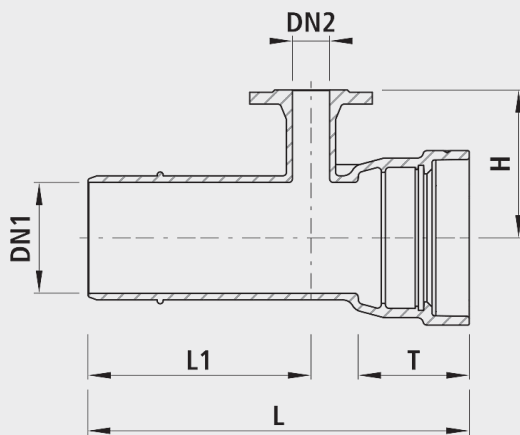


House connection piece BLS® with flange outlet DN 50

5416

**Application**

- In combination with slider, e.g. (No. 4060, No. 4850, No. 4852)
- In combination with aeration/ventilation fitting (No. 9920)
- The BLS® socket can be used for pipes with welding beads that are secured against shearing by means of bolts. If a TYTON-SIT seal is used, for example, the fitting can also be used for all push-in socket pipes. The fittings are designed using the proven E3 gate valve technology. All BLS® valves and fittings are fitted with TYTON seals for water as standard.

Characteristics

- Operating temperature - max. 40 °C
- Pressure PN 16

Thrust protection

- Shearing protection bolt or clamping ring for pipe end with/without weld bead
- Shearing protections are not included in the scope of supply.

Material

- Housing
 - Spheroidal graphite cast iron EN-GJS-400 (GGG 40)
 - EWS coating according to GSK, RAL-GZ 662, coating thickness min. 250 µm
- Push-in sockets
 - according to DIN 28603
- Seals
 - EPDM
 - KTW and W 270 approval

	DN1 (mm)	DN2 (mm)	L (mm)	L1	T (mm)	H (mm)	weight (kg)	NPK No. 412
5416125050	125	50	475	270	145	185	22.000	234333
5416150050	150	50	513	300	150	200	28.000	234334
5416200050	200	50	535	310	160	230	40.800	234335