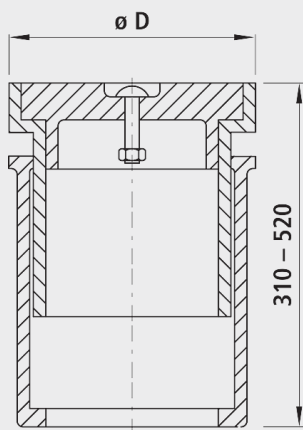


Street cap EASY-LIFT, size 1, miscellaneous

4583



Application

- recommended for the main slider

Characteristics

- mit individueller Deckelbeschriftung
- Telescopic upper part with extra large tamping surface
- Do not rust together or fuse together in the cold
- Glass fibre cover can be easily opened at all times
- reduced noise emission

Material

- Housing: Cast EN-GJL -200 (GG 20)
- Cover: Fibre glass reinforced plastic
- Chain: Stainless steel

	Medium	Size	$\varnothing D$ (mm)	weight (kg)	NPK No. 411	NPK No. 412
4583000100	Waste water	1	205	18.500	872112	872152
4583000200	Anergie	1	205	18.500	872112	872152