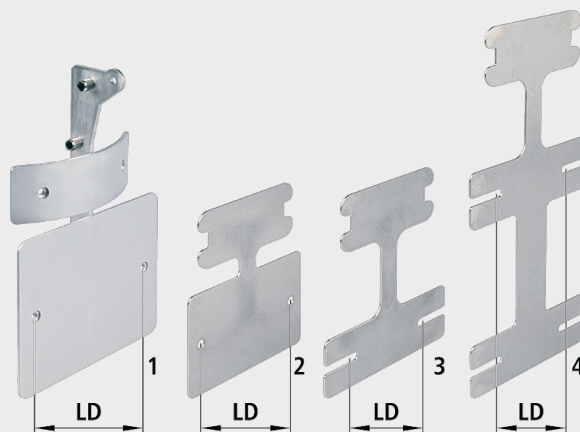


# Hydrant number plate INOX

N721



## Application

- to hydrantes 8370, H4 and H4-HV

## Material

- INOX

	Type	to hydrant	LD (mm)	shield size	weight (kg)
N721000000	1	H4 / H4-HV	110	140 x 113	0.500
N721000100	2	8370	88	110 x 70	0.017
N721000105	3	8370	80-120	140 x 113	0.013
N721000110	4	8370	80-120	2 x 140 x 113	0.025