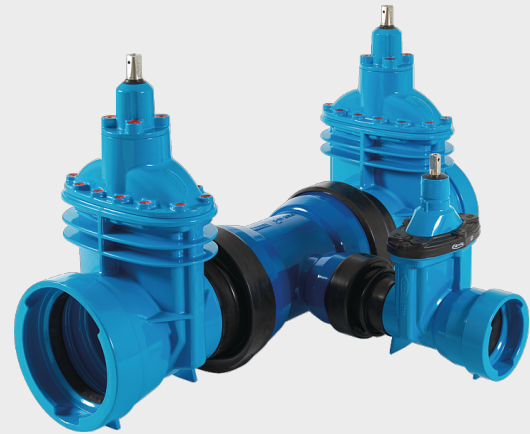
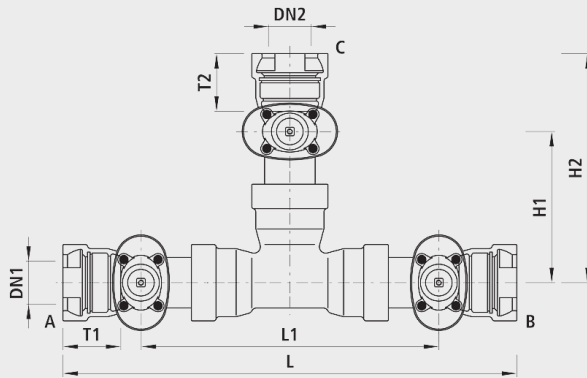


Combi-3 Vario BLS[®], PN 16

4497



Application

- The BLS[®] socket can be used for pipes with welding beads that are secured against shearing by means of bolts. If a TYTON-SIT seal is used, for example, the fitting can also be used for all push-in socket pipes. The fittings are designed using the proven E3 gate valve technology. All BLS[®] valves and fittings are fitted with TYTON seals for water as standard.

Characteristics

- Operating temperature - max. 40 °C
- Pressure PN 16

Thrust protection

- Shearing protection bolt or clamping ring for pipe end without weld bead
- Shearing protections are not included in the scope of supply.

Material

- Housing
 - Spheroidal graphite cast iron EN-GJS-400 (GGG 40)
 - EWS coating according to GSK, RAL-GZ 662, coating thickness min. 250 µm
- Push-in sockets
 - according to DIN 28603
- Seals
 - EPDM
 - KTW and W 270 approval

Caution

- Combination of sliders (No. 4027 and No. 5422), shear-protected connected, incl. socket protection

	DN1 (mm)	DN2 (mm)	PN (bar)	L (mm)	L1 (mm)	H1 (mm)	H2 (mm)	T1 (mm)	T2 (mm)	weight (kg)	NPK No. 411	NPK No. 412
4497100080	100	80	16	1050	690	345	517	135	125	90.200	825352	822332
4497125080	125	80	16	1158	750	355	527	145	125	111.000	825353	822333
4497150080	150	80	16	1196	790	370	542	150	125	136.800	825354	822334
4497200080	200	80	16	1265	825	395	567	160	125	202.700	825355	822335
4497200200	200	200	16	1405	965	470	700	160	160	270.900	825315	822315
4497250100	250	100	16	1360	900	430	610	165	135	305.000	825366	822346
4497250125	250	125	16	1390	930	465	669	165	145	323.000	825376	822356
4497250150	250	150	16	1420	960	485	688	165	145	323.300	825386	822366
4497250200	250	200	16	1475	1015	505	725	165	150	357.100	825416	822376
4497250250	250	250	16	1535	1075	540	770	165	160	416.500	825316	822316
4497300100	300	100	16	1481	995	455	635	170	135	434.400	825367	822347
4497300150	300	150	16	1536	1050	510	713	170	145	444.700	825387	822367
4497300200	300	200	16	1596	1110	530	750	170	150	478.500	825417	822377
4497300250	300	250	16	1651	1165	560	790	170	165	558.000		822387
4497300300	300	300	16	1711	1225	615	858	170	160	617.000	825317	822317