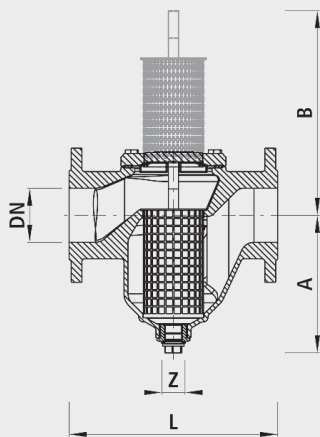


## Dirt trap, PN 10/16/25/40

## 2002



### Characteristics

- Flow-optimised dirt trap
- Construction length acc. to DIN EN 558
- Flange dimensions according DIN 1092-2
- Medium temperature 2 to 40°C
- Drain plug from stainless steel
- Optional: 4x Innengewinde 1/2"

### Material

- Housing and cover: EN GJS-400
- Filter: double sieve INOX standard 0,6 mm  
2,0 / 5,0 mm on request
- Sealing material EPDM

	DN	PN (bar)	L (mm)	A (mm)	B (mm)	Z	weight (kg)	NPK No. 411	BIM / CAD
2002040000	40	10/16/25/40	200	163	227	1/2"	11.100	842115	
2002050000	50	10/16/25/40	230	162	225	3/4"	12.600	842116	
2002065000	65	10/16	290	203	275	3/4"	17.500	842117	
2002067000	65	25/40	290	203	275	3/4"	17.500		
2002080000	80	10/16/25/40	310	206	300	3/4"	24.500	842118	
2002100000	100	10/16	350	228	355	3/4"	30.000	842119	
2002102000	100	25/40	350	228	355	3/4"	32.500		
2002125000	125	10/16	400	277	455	3/4"	46.000	842141	
2002127000	125	25/40	400	277	455	3/4"	47.300		
2002150000	150	10/16	480	326	535	3/4"	63.000	842142	
2002152000	150	25/40	480	326	535	3/4"	64.300		
2002200000	200	10	600	397	697	3/4"	109.000		
2002201000	200	16	600	397	697	3/4"	109.000		
2002202000	200	25	600	397	697	3/4"	110.000		

