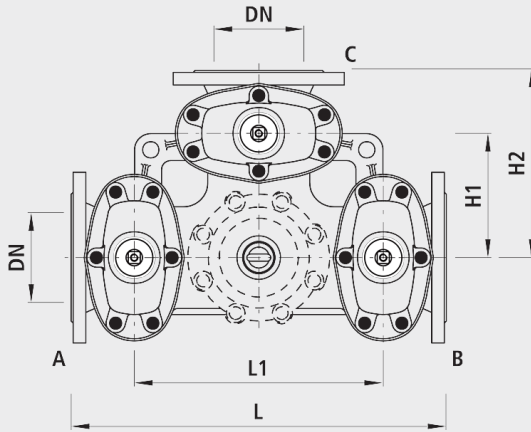


Comb- 3 with flanges, PN 16

4450



Outlet without slider

- Outlets with a blind cover (A, B, C), on request

Vertical outlet

- Vertical outlet DN 100, on request (No. 4460)

Characteristics

- Gehäuse
 - nach DIN EN 1092-2
 - DN 25 bis DN 150: PN 16
 - DN 200 bis DN 600: PN 10 oder 16; bei Bestellung angeben
 - DN 65: 4-Loch-Flansch
- Operating temperature
 - max. 40 °C

Material

- Housing
 - Spheroidal graphite cast iron EN-GJS-400 (GGG 40)
 - EWS coating according to GSK, RAL-GZ 662, coating thickness min. 250 µm

	DN	PN (bar)	L (mm)	L1 (mm)	H (mm)	H1 (mm)	H2 (mm)	weight (kg)	NPK No. 411	NPK No. 412
4450080000	80	16	435	255	313	128	218	47.000	826111	823411
4450100000	100	16	555	365	343	183	278	74.000	826112	823412
4450125000	125	16	615	415	446	208	313	109.000	826113	823413
4450150000	150	16	625	415	433	208	313	114.000	826114	823414
4450200000	200	10	695	465	541	233	348	183.000	826115	823425
4450201000	200	16	695	465	541	233	348	183.000		823435

Height H: Pipe axis up to the spindle end