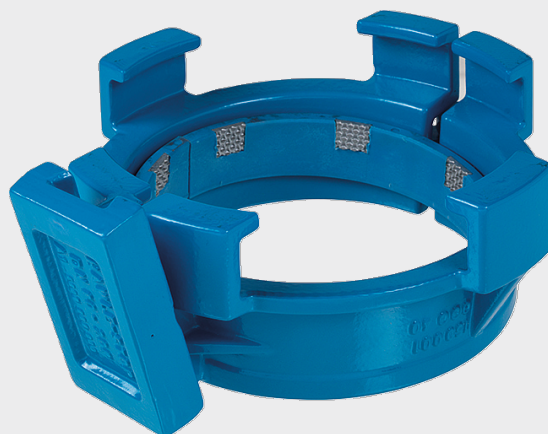
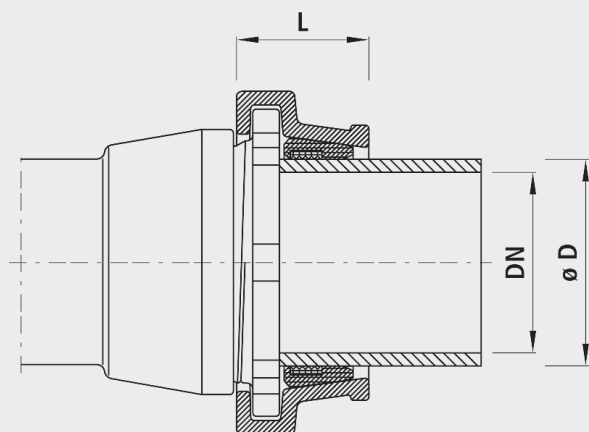


## Screw socket thrust protection, PN 16

# 5800



### Application

- For all makes of screw socket fittings/screw socket tubes and plastic-coated cast pipes DIN (Ecopur)
- Die Schraubmuffe ist für folgende Rohrarten geeignet:  
Gussrohre:  
- Mit Standard-Schraubringgarnitur: Schraubring, Konusring, Dichtring; Schubsicherung (Nr. 5800) aussenliegend  
Ecopur-Gussrohre:  
- Mit Standard-Schraubringgarnitur; Schubsicherung (Nr. 5800) aussenliegend:  
PE-Rohre:  
- Mit PE Anschweissende (Nr. 4523 und 4524)

### Characteristics

- Operating temperature - max. 40 °C
- Pressure PN 16

### Material

- Stops and wedges: GGG 40
- Hinge pins: Stainless steel
- Tapered clamping ring of PA
- Corpo:  
- Ghisa sferoidale EN-GJS-400 (GGG 40)  
- Rivestimento in EWS secondo GSK, RAL-GZ 662, spessore dello strato mit. 250 µm

### Caution

- The cover lever must be pushed onto the pipe prior to assembly. There is a risk of breakage if fitted retrospectively.

	DN	ø D	PN (bar)	L (mm)	weight (kg)	NPK No. 411	NPK No. 412
5800080000	80	98	16	85	3.500	228818	228821
5800100000	100	118	16	90	4.000	228819	228822
5800125000	125	144	16	100	4.500	228821	228823
5800150000	150	170	16	100	6.000	228822	228824
5800200000	200	222	16	110	8.000	228823	228825