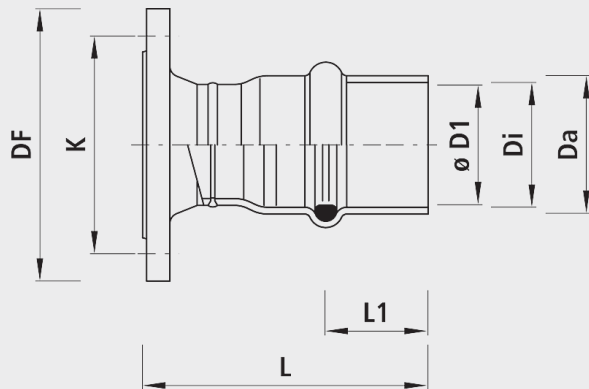


Pull-over sleeve with flange, PN 10/16

6909



Characteristics

- Screw-less, self-sealing connection element for steel pipes
- The sealing chamber is designed so that it seals automatically, even with low internal pressures in the pipe system.
- To push over on one side, on the other side with flange
- Temperature range -10°C to +50°C

Installation and assembly

- Pushing on the steel pipe
- Weld sleeve end with a fillet weld
- Create a flange connection
- Destroy O-rings using a welding torch to check the seal

Material

- Stahl nach Norm DIN EN 10305 / 1, DIN EN 10305 / 2, DIN EN 10216 / 2, DIN EN 10216-1, DIN EN 10217-1 und DIN EN 10305-4 oder gleichwertig.
- Die Rollringe sind aus Moosgummi (EPDM) DIN 4060 gefertigt.

	DN	PN (bar)	ø D1 (mm)	Di	Da	L (mm)	L1 (mm)	DF	k	n	weight (kg)
6909050060	50	16	60.3	63.0	70.0	250	105	115	85	4	5.000
6909080088	80	16	88.9	91.6	101.6	300	105	200	160	8	6.700
6909100108	100	16	108.0	111.0	121.0	305	100	220	180	8	8.400
6909100114	100	16	114.3	117.0	127.0	305	100	220	180	8	8.700
6909150159	150	16	159.0	162.5	172.5	310	100	285	240	8	13.100
6909150168	150	16	168.3	172.0	182.5	310	100	285	240	8	13.500
6909200216	200	10	216.0	219.5	230.5	315	100	340	295	8	19.000
6909201216	200	16	216.0	219.5	230.5	315	100	340	295	12	19.000
6909200219	200	10	219.0	222.5	233.5	315	100	340	295	8	19.400
6909201219	200	16	219.0	222.5	233.5	315	100	340	295	12	19.000
6909250273	250	10	273.0	278.5	289.5	320	100	395	350	12	25.000
6909251273	250	16	273.0	278.5	289.5	320	100	405	355	12	25.600
6909300318	300	10	318.0	323.0	336.0	330	100	445	400	12	31.000
6909301318	300	16	318.0	323.0	336.0	330	100	460	410	12	35.500
6909300323	300	10	323.9	329.0	342.0	320	100	445	400	16	31.000
6909301323	300	16	323.9	329.0	342.0	330	100	460	410	12	35.500
6909400406	400	10	406.4	411.0	423.6	330	100	565	515	16	46.000
6909401406	400	16	406.4	411.0	423.6	340	100	580	525	16	57.000