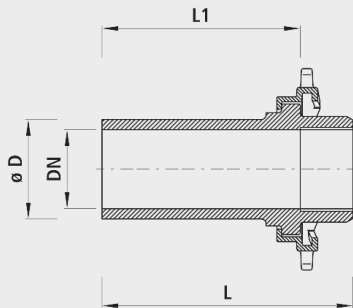


Weld-on PE end BAIO[®], PE 100, SDR 11, PN 16

4520



Bajonett-Verriegelungsring
Verrouillage à baionette
Anello di serraggio

Stützhülse
Douille de renfort
Bussola di appoggio



Characteristics

- Pressure PN 16

Installation and assembly

- Insert the PE weld-on end in the BAIO[®] sleeve and secured against shearing with the locking ring. Tighten the socket screw.

Material

- Einschweisstützen
- Standard: PE 100, SDR 11
- Stützhülse
- INOX
- Verriegelungsring
- Sphäroguss EN-GJS-400 (GGG 40)
- EWS-Beschichtung nach GSK, RAL-GZ 662, Schichtdicke min. 250 µm

Caution

- Incl. locking ring ring

	DN	ø D	PN (bar)	L (mm)	L1 (mm)	weight (kg)	NPK No. 411	NPK No. 412
4520V00900	80	90	16	260	180	3.900	425237	425316
4520V01100	100	110	16	287	204	4.600	425238	425327
4520V01250	100	125	16	302	219	4.900	425239	425328
4520V01400	125	140	16	333	243	6.950	425241	425331
4520V01600	125	160	16	348	220	7.350	425242	425332
4520V01601	150	160	16	345	260	8.200	425242	425332
4520V01800	150	180	16	355	270	8.700	425243	425343
4520150200	150	200	16	500	370	9.200	425244	425344
4520V02000	200	200	16	390	290	12.900	425244	425354
4520V02250	200	225	16	405	305	12.900	425245	425355
4520V02500	200	250	16	425	326	14.200	425246	425356
4520V02800	250	280	16	433	317	22.400	425247	425367
4520250315	250	315	16	654	538	29.600	425248	425368
4520V03150	300	315	16	469	280	31.450	425248	425378
4520V03550	300	355	16	469	280	33.350		