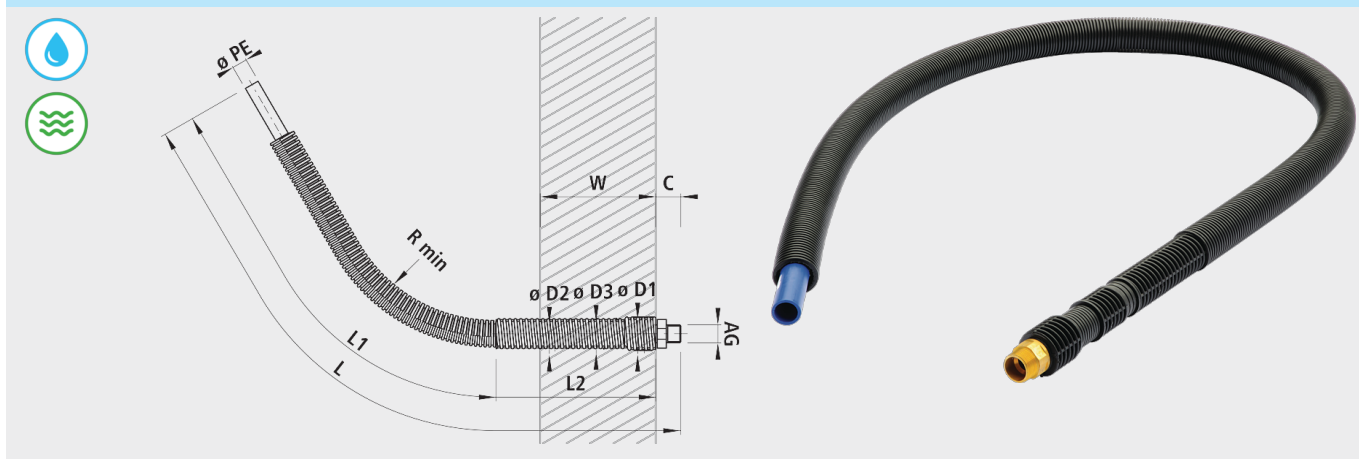


Wall duct flexibly, flexible PE, with male thread, PN 16

6856



Characteristics

- PE/brass connection with positive and force fitting into the wall protection pipe
- Compatible with multi-range inlets
- SGVW certified

Material

- Pipe: PE 100, SDR 11
- Male thread: Brass
- Protective casing: PE with fixed-point fixation

Installation and assembly

- For direct installation in the wall, with or without grouting device
- Dry installation in core drill hole
- Other lengths on request

	$\varnothing PE$	AG	L (mm)	L1 (mm)	L2 (mm)	R min.	$\varnothing D1$ (mm)	$\varnothing D2$ (mm)	$\varnothing D3$	C cm	$\varnothing KB T$ (mm)	$\varnothing KB N$ (mm)	W T	W N (mm)	weight (kg)	NPK No. 411	NPK No. 412
6856032300	32	1"	3780	3310	400	640	66	60	53	6-10	100	90	380	280	3.200	8841 62	7131 11
6856040300	40	1 1/4"	3780	3310	400	800	66	60	53	6-10	100	90	380	280	3.700	8841 63	7131 22
6856050300	50	1 1/2"	3780	3310	400	1000	80	75	75	8-10	130	120	380	280	5.200	8841 64	7131 33