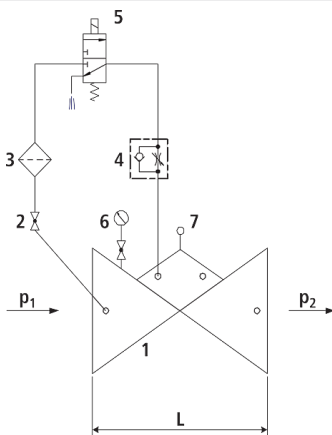
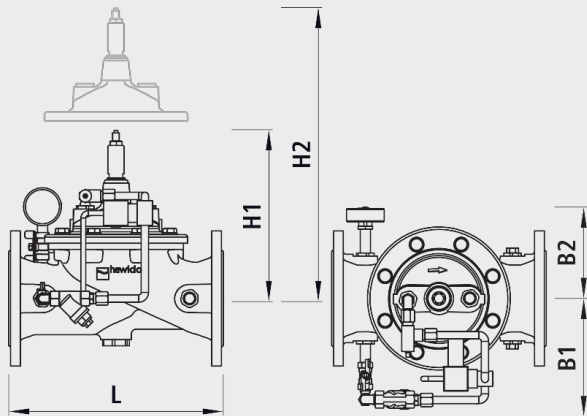


On/Off valve for electrical remote control - open without current

1704



Components

- 1: Main valve
- 2: Ball valve
- 3: Filter
- 4: Throttle check valve
- 5: Electric solenoid valve
- 6: Pressure gauge with ball valve
- 7: Opening limiter

Physical characteristics

- The main valve is a hydraulically operating diaphragm valve. The work energy is the inherent medium.
- Most valve types operate purely hydraulically without any foreign energy.

Application

- To use in drinking water systems (other media after consultation)
- Opening or closing a supply system by means of an electrical signal

Mode of operation

- The open/close valve hydraulically opens or closes for the electric actuation via the solenoid valve fitted on the control line. The valve is open when the power is off. The closing speed can be adjusted by means of a throttle non-return valve to prevent surges in pressure.

Product information

- To calculate the dimensions of the valve please refer to the following information:
- Maximum and minimum inlet pressure (static and dynamic pressure ratios)
- Existing counterpressure
- Required flow rate
- Maximum permissible loss of pressure
- Voltage information for the solenoid valve
- Available line diameters and lengths
- Construction of the valve (straight or angle design)
- For the calculation basis, information on the loss of pressure and the characteristic values of the valve, please refer to the end of Chapter E.

Design

- Design according to DIN EN 1074
- Construction length acc. to DIN EN 558
- Flange mass according to DIN 1092-2, to PN 25 DN 300
- Pressure levels: PN 10 or PN 16 to DN 300, PN 25 to DN 200, higher pressures on request.
- Nominal widths DN 50, DN 80, DN 100 and DN 150 available in angular design
- Nominal widths 1 1/2" and 2" with threaded connection (female thread)
- Medium temperature up to 40°C

Installation and assembly

- Shut-off valves should be fitted on both sides of the valve and a dirt trap should be installed on the inlet side of the valve. Depending on the installation situation, a mounting/dismounting adapter should be provided.

Vantages

- Maintenance-free, non-rusting valve seat
- Pressed-in seat
- EWS-coating according to RAL GSK

	DN	PN (bar)	L (mm)	B1 (mm)	B2 (mm)	H1 (mm)	H2 (mm)	KVS l/min.	weight (kg)
1704007000	1 1/2"	16	210	190	160	230	400	315	9.000
1704008000	2"	16	210	190	160	230	400	460	9.000
1704040000	40	16	200	190	160	230	400	315	11.100
1704050000	50	16	230	190	160	230	400	506	16.750
1704065000	65	16	290	190	160	240	400	725	21.800
1704080000	80	16	310	190	180	260	400	1200	27.900
1704100000	100	16	350	220	200	290	400	2150	35.900
1704125000	125	16	400	230	210	380	500	2955	52.000
1704150000	150	16	480	250	220	410	500	4960	76.000
1704200000	200	10	600	260	250	450	500	7640	115.100
1704200016	200	16	600	260	250	450	500	7640	115.100
1704250000	250	10/16	730	275	270	530	600	11600	247.500
1704300000	300	10/16	850	275	740	550	600	24600	358.000

Comment: Up to DN 100 as per the diagram. From DN 125 with orifice plate and 2/2-way solenoid valve.