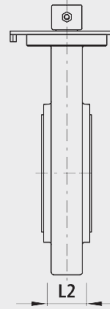
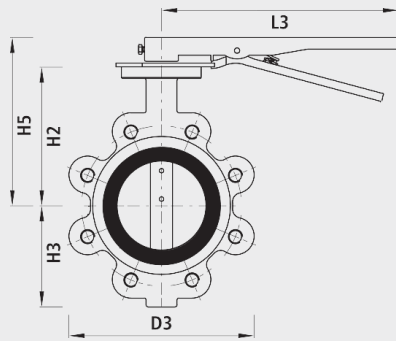


# Butterfly valve with manual lever, type LT, PN 16

# 9942



## Application

- For water up to max. 40 °C
- One piece housing for installations on the flanges according to DIN 2501, PN 10 or PN 16.

## Characteristics

- The butterfly disc is centrally positioned and aerodynamically designed, and it can be closed tightly in both flow directions.
- Flange connection compound
  - according to DIN EN 1092-2
  - DN 40 to DN 150: PN 10 / 16
  - DN 200 to DN 00: PN 10 or 16, specify when ordering
  - DN 65: Flange with 4 hole

## Material

- Housing: EN-JS 1030 (GGG 40)
- Washer: INOX 1.4408
- Shaft: INOX 1.4005, with Woodruff key
- Seat: EPDM
- EWS epoxy coating according to GSK, RAL-GZ 662, internally and externally acc. to DIN 30677

## Installation and assembly

- Do not use any additional seals.
- The valve can be used as an end fitting.
- Direct connection with slip-on flange notfunctioning

	DN	PN (bar)	L2 (mm)	L3 (mm)	D3 (mm)	H2 (mm)	H3 (mm)	H5 (mm)	weight (kg)	NPK No. 411	BIM / CAD
9942040000	40	16	36	267	115	130	65	164	3.700	831235	
9942050000	50	16	46	267	118	124	78	157	4.900	831236	
9942065000	65	16	49	267	164	134	88	167	6.600	831237	
9942080000	80	16	49	267	183	141	98	174	7.400	831238	
9942100000	100	16	56	267	206	156	110	189	7.500	831239	
9942125000	125	16	59	267	240	170	128	203	11.500	831241	
9942150000	150	16	59	267	268	186	143	219	12.500	831242	
9942200000	200	10	65	353	335	218	180	258	24.400	831243	
9942201000	200	16	65	353	335	218	180	258	24.400	831243	
9942250000	250	10	73	353	398	249	205	289	29.700	831244	