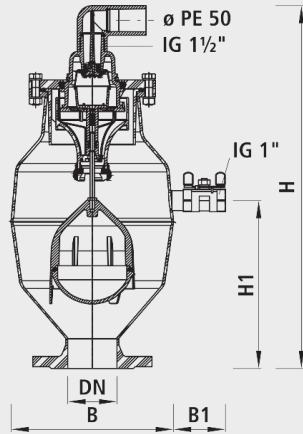


Aeration/ventilation valve for waste water, PN 16

9881



Mode of operation

- Infinite automatic aeration and ventilation valve for waste water, untreated water and drinking water. The infinite variable aeration and ventilation is done via a mesh seat with a rolling membrane system. The seal seat does not come into contact with the waste water, so it prevent the seat from getting blocked up and thus provides high operational safety.

Characteristics

- Self-acting
- All parts are corrosion resistant
- Efficient purging during maintenance work.
- On request, the aeration and ventilation valve is also available in the colour blue or in the material INOX.

Material

- Housing, cover and flange: ST 37 with EWS-coating (Inox on request)
- Diaphragm holder (mesh): POM
- Membrane: EPDM
- Float ball: POM
- Outlet bend d 50: PE 100

Performance data

- Opening cross-section: 480 mm²
- Ventilation capacity: 440 m³/h
- Aeration capacity: 427 m³/h
- Operating range: 0 to 16 bar

Medium

- Domestic waste water, drinking water

Medium temperature

- max. 40 °C

Test pressure

- Housing: 24 bar

	DN	PN (bar)	B (mm)	B1 (mm)	H (mm)	H1 (mm)	weight (kg)
9881050000	50	10/16	270	100	615	180	20.000
9881080000	80	10/16	270	100	615	180	21.000
9881100000	100	10/16	270	100	615	180	23.000
9881150000	150	10/16	270	100	615	180	25.000
9881200000	200	10	270	100	615	180	28.000