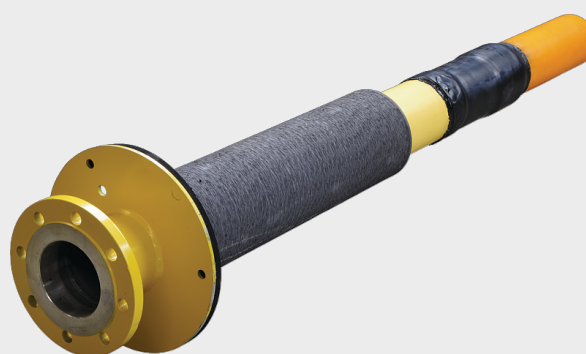
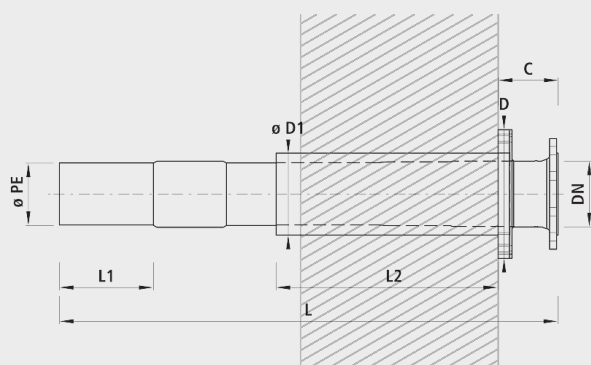


## Wall duct flange/PE for installation in the wall, straight, PN 5

# 6857



### Characteristics

- Flange connection
- Fixed point fixing available
- Flange: Drill PN 16

### Material

- Fully encapsulated steel/PE connection
- Weld-in end: PE 100, SDR 11
- Protection pipe: scratched PVC

### Installation and assembly

- For direct installation in the wall

	ø PE	DN	L (mm)	L1 (mm)	L2 (mm)	D (mm)	ø D1 (mm)	C cm	ø KB N (mm)	weight (kg)
6857090080	90	80	1420	255	600	300 ø	125	10.5	150	26.000
6857110100	110	100	1480	310	600	300 ø	158	11.5	200	27.400
6857125100	125	100	1430	255	600	300 ø	158	11.5	200	27.400
6857160150	160	150	1460	255	600	330 □	200	13.5	250	55.000
6857180150	180	150	1460	255	600	330 □	200	13.5	250	60.000
6857225200	225	200	1600	300	600	330 □	250	14.0	300	90.600