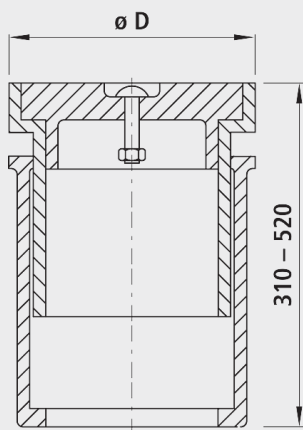


Street cap EASY-LIFT, size 0

457400



Application

- Recommended for house connection slider

Characteristics

- Telescopic upper part with extra large tamping surface, long version
- Do not rust together or fuse together in the cold
- Glass fibre cover can be easily opened at all times
- reduced noise emission

Material

- Housing: Cast EN-GJL -200 (GG 20)
- Cover: Fibre glass reinforced plastic
- Chain: Stainless steel

	Size	$\varnothing D$ (mm)	weight (kg)	NPK No. 412
4574000000	0	155	12.100	872151