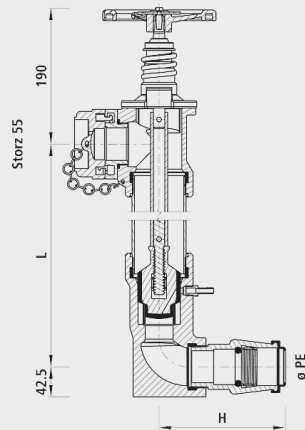


Above-floor irrigation hydrant with handwheel

N765



Design

- For water up to max. 40 \bar{m}
- All parts are corrosion resistant
- Automatic drainage with watertight protection for pressurised water
- Inlet with plug in fitting d 50 or d 63 (other dimensions available on request)
- Outlet Storz 55 with blind coupling
- SGVW certified

Material

- Housing of the upper section: EN-GJS-400, EWS epoxy coating RAL 9006, UV protective paint
- Housing of the lower section: EN-GJS-400, EWS epoxy coating
- Storz fixed and blind coupling: Aluminium
- Rider pipe: Galvanized steel, 2½"
- Spindle extension: INOX 1.4301
- Valve cone: Brass, soft seal EPDM
- Handwheel: EN-GJS-400, EWS epoxy coating RAL 9006, UV protective paint

	ø PE	L (mm)	H (mm)	PN (bar)	weight (kg)	NPK No. 412
N765050110	50	1100	170	16	19.800	854121
N765050120	50	1200	170	16	20.700	854121
N765050130	50	1300	170	16	21.600	854121
N765050140	50	1400	170	16	22.500	854121
N765050150	50	1500	170	16	23.400	854121
N765050160	50	1600	170	16	24.300	854121
N765050170	50	1700	170	16	25.200	854121
N765050180	50	1800	170	16	26.100	854121
N765050190	50	1900	170	16	27.000	854121
N765050200	50	2000	170	16	27.900	854121
N765050210	50	2100	170	16	28.800	854121
N765050220	50	2200	170	16	29.700	854121
N765050230	50	2300	170	16	30.600	854121
N765050240	50	2400	170	16	31.500	854121
N765050250	50	2500	170	16	32.400	854121
N765050260	50	2600	170	16	33.300	854121
N765063110	63	1100	185	16	20.300	854122
N765063120	63	1200	185	16	21.200	854122
N765063130	63	1300	185	16	22.100	854122
N765063140	63	1400	185	16	23.000	854122
N765063150	63	1500	185	16	23.900	854122
N765063160	63	1600	185	16	24.800	854122
N765063170	63	1700	185	16	25.700	854122
N765063180	63	1800	185	16	26.600	854122
N765063190	63	1900	185	16	27.500	854122
N765063200	63	2000	185	16	28.400	854122
N765063210	63	2100	185	16	29.300	854122
N765063220	63	2200	185	16	30.200	854122
N765063230	63	2300	185	16	31.100	854122
N765063240	63	2400	185	16	32.000	854122
N765063250	63	2500	185	16	32.900	854122
N765063260	63	2600	185	16	33.800	854122