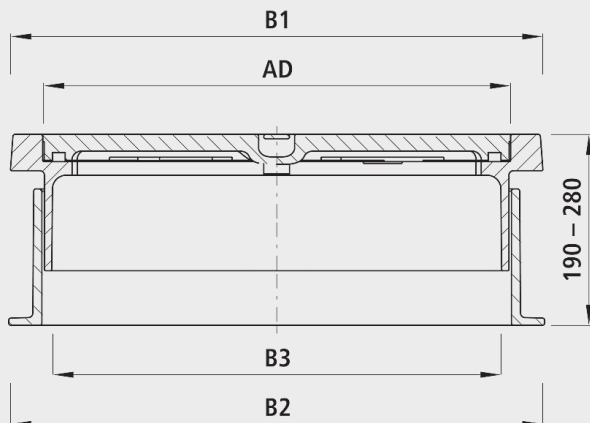


Surface box for self-actuating aeration/ventilation fitting

4590



Application

- For aeration and ventilation kit 9920

Characteristics

- Upper box assembly can be telescopically adapted to the road surface
- Cast lid with rubber pads with 4-point
- Fulfils the test load B125 (5t wheel load) in compliance with EN 124 standard
- Ventilation holes of 2,000 mm² in the lid
- Inscription: Aerator

Material

- Cast EN GJL-250

| | B1 (mm) | B2 (mm) | B3 | AD (mm) | weight (kg) | NPK No. 411 | NPK No. 412 |
|------------|---------|---------|-----|---------|-------------|-------------|-------------|
| 4590000001 | 460 | 470 | 375 | 394 | 69.000 | 872511 | 872511 |