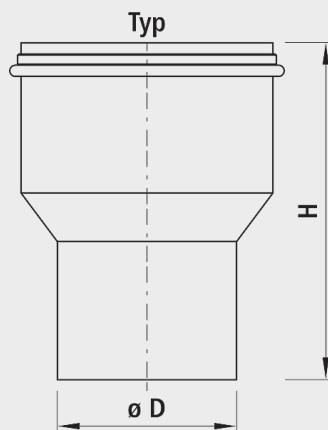


Baseplate, vertical outlet

2109



Application

- Non-siphoned base plate for the Hawle drain and overflow type N and type OS

Material

- PE-HD Plastic

	Type	ø D	H (mm)	weight (kg)	NPK No. 411
2109075000	75	75	185	0.400	842552
2109110000	110	110	250	1.100	842554
2109160000	160	160	300	2.300	842556
2109200000	200	250	350	6.000	842558