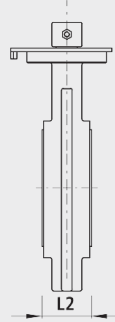
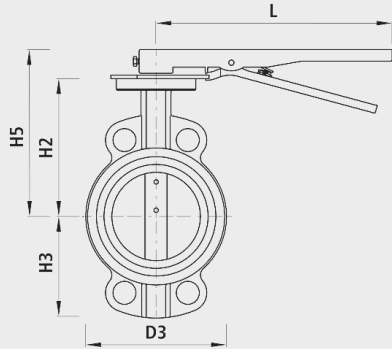


Butterfly valve with manual lever, type AW, PN 16

9940



Application

- For water up to max. 40 °C
- One piece housing for installations on the flanges according to DIN 2501, PN 10 or PN 16.

Characteristics

- The butterfly disc is centrally positioned and aerodynamically designed, and it can be closed tightly in both flow directions.
- Flange connection compound
 - according to DIN EN 1092-2
 - DN 40 to DN 150: PN 10 / 16
 - DN 200 to DN 00: PN 10 or 16, specify when ordering
 - DN 65: Flange with 4 hole

Material

- Housing: EN-JS 1030 (GGG 40)
- Washer: INOX 1.4408
- Shaft: INOX 1.4005, with Woodruff key
- Seat: EPDM
- EWS epoxy coating according to GSK, RAL-GZ 662, internally and externally acc. to DIN 30677

Installation and assembly

- Clamp between two flanges
- Do not use any additional seals.
- Direct connection with slip-on flange notfunctioning

	DN	PN (bar)	L2 (mm)	L (mm)	D3 (mm)	H2 (mm)	H3 (mm)	H5 (mm)	weight (kg)	BIM / CAD
9940040000	40	16	36	267	110	130	61	164	2.500	
9940050000	50	16	46	267	118	124	78	157	3.700	
9940065000	65	16	49	267	137	134	90	167	4.300	
9940080000	80	16	49	267	148	141	98	174	4.800	
9940100000	100	16	56	267	159	156	115	189	5.900	
9940125000	125	16	59	267	189	170	122	203	7.900	
9940150000	150	16	59	267	211	186	148	219	8.500	
9940200000	200	10	65	353	269	218	180	258	15.100	
9940201000	200	16	65	353	269	218	180	258	15.100	
9940250000	250	10	73	353	324	249	210	289	23.000	