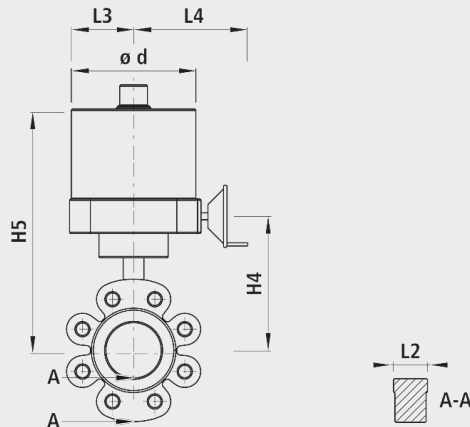


Butterfly valve with electrical actuator 24V, type LT, PN 16

9948



Application

- For water up to max. 40 °C
- One piece housing for installations on the flanges according to DIN 2501, PN 10 or PN 16.

Characteristics




- The butterfly disc is centrally positioned and aerodynamically designed, and it can be closed tightly in both flow directions.
- Electric motor: 24 VDC
- Protection class: IP 67
- Slow closing, ca. 150 sec.
- Control signal: 4 to 20 mA
- Heating integrated in the motor
- Flange connection compound
 - according to DIN EN 1092-2
 - DN 40 to DN 150: PN 10 / 16
 - DN 200 to DN 00: PN 10 or 16, specify when ordering
 - DN 65: Flange with 4 hole

Material

- Housing: EN-JS 1030 (GGG 40)
- Washer: INOX 1.4408
- Shaft: INOX 1.4408, with Woodruff key
- Seat: EPDM
- EWS epoxy coating according to GSK, RAL-GZ 662, internally and externally acc. to DIN 30677

Installation and assembly

- Do not use any additional seals.
- The valve can be used as an end fitting.
- Direct connection with slip-on flange not functioning

	DN	PN (bar)	L2 (mm)	L3 (mm)	L4 (mm)	H4 (mm)	H5 (mm)	Casing square ø d	weight (kg)	BIM / CAD
9948040024	40	16	36	65	155	193	376	130/166	9.000	
9948050024	50	16	46	65	155	187	370	130/166	10.200	
9948065024	65	16	49	65	155	197	380	130/166	12.000	
9948080024	80	16	49	65	155	204	387	130/166	12.800	
9948100024	100	16	56	65	155	219	402	130/166	13.500	
9948125024	125	16	59	65	155	233	416	130/166	17.500	
9948150024	150	16	59	65	155	352	535	130/166	26.500	
9948200024	200	10	65	65	155	384	567	130/166	37.500	
9948201024	200	16	65	65	155	384	567	130/166	37.500	
9948250024	250	10	73	65	155	415	598	130/166	43.000	
9948251024	250	16	73	65	155	415	598	130/166	43.000	
9948300024	300	10	83	65	155	451	634	130/166	61.500	