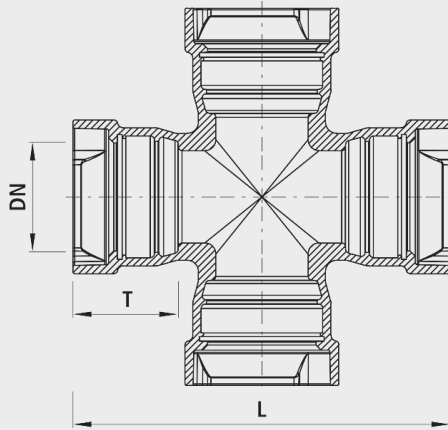


Plug-in sleeve cross BLS[®], PN 16

5477



Application

- All the BLS[®] spigot-end fittings, BLS shaped parts and cast pipes with welding beads can be inserted in the BLS[®] plug-in sleeves.
- The BLS[®] socket can be used for pipes with welding beads that are secured against shearing by means of bolts. If a TYTON-SIT seal is used, for example, the fitting can also be used for all push-in socket pipes. The fittings are designed using the proven E3 gate valve technology. All BLS[®] valves and fittings are fitted with TYTON seals for water as standard.

Characteristics





- Operating temperature - max. 40 °C
- Pressure PN 16

Thrust protection

- Shearing protection bolt or clamping ring for pipe end without weld bead
- Shearing protections are not included in the scope of supply.

Material

- Housing
 - Spheroidal graphite cast iron EN-GJS-400 (GGG 40)
 - EWS coating according to GSK, RAL-GZ 662, coating thickness min. 250 µm
- Push-in sockets
 - according to DIN 28603
- Seals
 - EPDM
 - KTW and W 270 approval

| | DN | PN (bar) | L (mm) | T (mm) | weight (kg) | NPK No. 411 | NPK No. 412 | BIM / CAD |
|------------|-----|-------------|-----------|-----------|----------------|----------------|----------------|---|
| 5477100000 | 100 | 16 | 460 | 135 | 32.000 | 234719 | 232612 |  |
| 5477125000 | 125 | 16 | 511 | 143 | 44.000 | 234721 | 232613 |  |
| 5477150000 | 150 | 16 | 555 | 150 | 58.000 | 234722 | 232614 |  |
| 5477200000 | 200 | 16 | 635 | 160 | 90.000 | 234723 | 232615 |  |