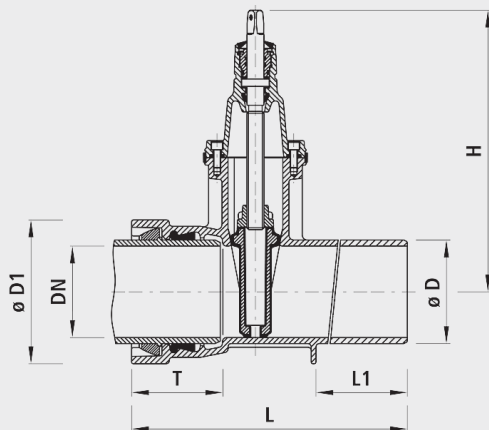


Sleeve/spigot-end slider BLS® without welding bead, PN 16

4028



Application

- The BLS® socket can be used for pipes with welding beads that are secured against shearing by means of bolts. If a TYTON-SIT seal is used, for example, the fitting can also be used for all push-in socket pipes. The fittings are designed using the proven E3 gate valve technology. All BLS® valves and fittings are fitted with TYTON seals for water as standard.

Characteristics

- Operating temperature - max. 40 °C
- Pressure PN 16

Thrust protection

- Socket: Shearing protection bolt or clamping bolt for pipe end with weld bead (No. 5910)
- Spigot-end: Shearing protection with (No. 5399)

Material

- Housing
 - Spheroidal graphite cast iron EN-GJS-400 (GGG 40)
 - EWS coating according to GSK, RAL-GZ 662, coating thickness min. 250 µm
- Push-in sockets
 - according to DIN 28603
- Seals
 - EPDM
 - KTW and W 270 approval

Caution

- Shearing protections are not included in the scope of supply.

	DN	ø D	PN (bar)	H (mm)	L (mm)	L1	T (mm)	ø D1 (mm)	weight (kg)	NPK No. 411	NPK No. 412	BIM / CAD
4028100000	100	118	16	343	440	170	135	178	24.500	811319	811322	
4028125000	125	144	16	421	494	190	143	208	37.500	811321	811323	
4028150000	150	170	16	433	513	205	150	235	44.500	811322	811324	
4028200000	200	222	16	541	535	215	160	295	72.000	811323	811525	
4028250000	250	274	16	649	577	225	165	356	114.000	811324	811326	
4028300000	300	326	16	731	638	240	170	414	168.000	811325	811327	