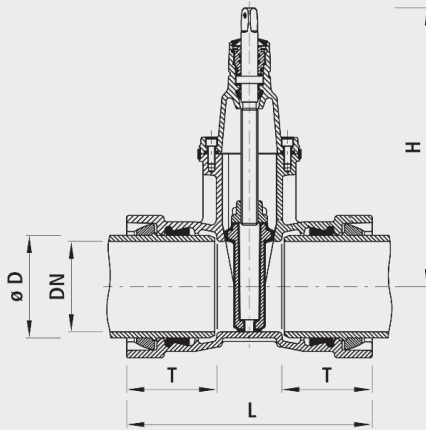


Plug-in sleeve slider BLS[®], PN 16

4020



Application

- The BLS[®] socket can be used for pipes with welding beads that are secured against shearing by means of bolts. If a TYTON-SIT seal is used, for example, the fitting can also be used for all push-in socket pipes. The fittings are designed using the proven E3 gate valve technology. All BLS[®] valves and fittings are fitted with TYTON seals for water as standard.

Characteristics

- Operating temperature - max.40 ° C
- Pressure PN 16

Material

- Housing
 - Spheroidal graphite cast iron EN-GJS-400 (GGG 40)
 - EWS coating according to GSK, RAL-GZ 662, coating thickness min. 250 µm
- Push-in sockets
 - according to DIN 28603
- Seals
 - EPDM
 - KTW and W 270 approval

Caution

- Shearing protections are not included in the scope of supply.

	DN	ø D	PN (bar)	H (mm)	L (mm)	T (mm)	weight (kg)	NPK No. 411	NPK No. 412	BIM / CAD
4020100000	100	118	16	343	364	135	28.000	811219	811422	
4020125000	125	144	16	421	414	143	43.000	811221	811423	
4020150000	150	170	16	433	422	150	46.000	811222	811424	
4020200000	200	222	16	541	445	160	81.000	811223	811425	